

Spring Rider Instructions

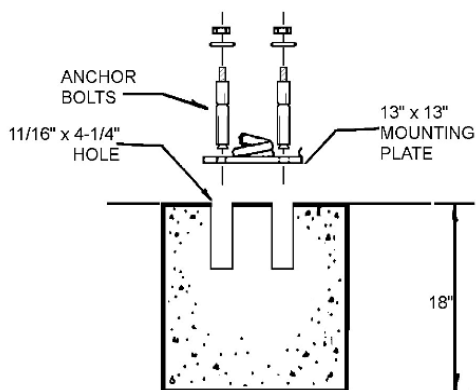


Step 1 : Dig footing hole (around 18"*18"*18")& fill with concrete

Step 2 : Let concrete cure for at least 48 hours

Step 3 : Using the base of the rider as a guide,
mark and drill in the concrete using a drill bit suitable for concrete
and of a diameter large enough that the anchor just fits inside

Step 4 : Place anchors in concrete and remove nuts and washers.
Place base over exposed bolts and push down.
Once rider base is flat,replace nuts and washers and tighten down .
Base should not move when finished



Step 5 : After equipment has been in use for three or four days.
All bolts & nuts must be checked and retightened if necessary